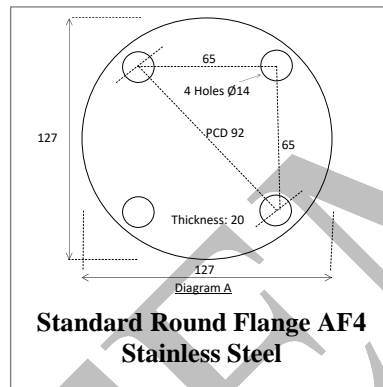
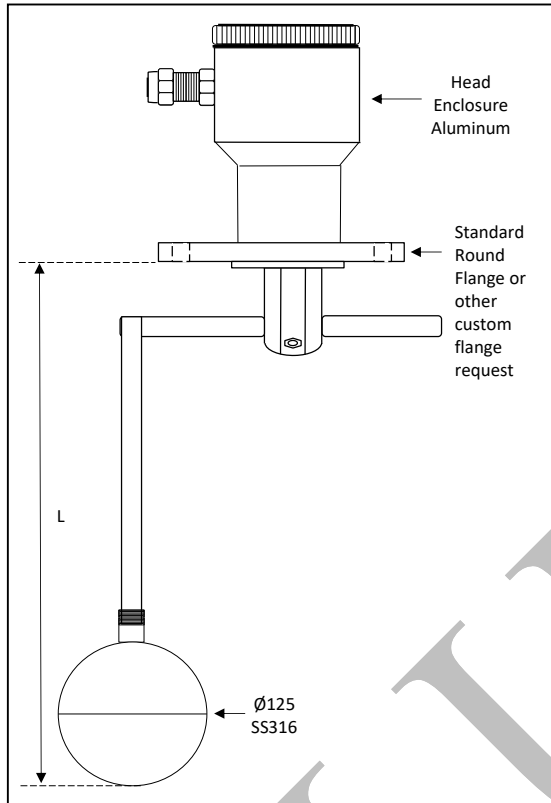
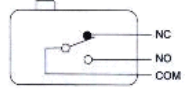


## MLV Model Magnetic Level Float Switch Vertical



Order Code	Head Enclosure	L
MLV-AL-AF4-1000	Aluminum	1000
MLV-AL-AF4-2000	Aluminum	2000
MLV-AL-AF4-3000	Aluminum	3000
MLV-SS-AF4-1000	Stainless Steel	1000
MLV-SS-AF4-2000	Stainless Steel	2000
MLV-SS-AF4-3000	Stainless Steel	3000

Feature	Specification	
<ul style="list-style-type: none"> <li>Flange Mounting</li> <li>Various flange size available</li> <li>Float Ball Dia : 125mm</li> <li>Enclosure: Aluminium / Stainless Steel</li> <li>Switching : SPDT</li> </ul>  <p>Electrical Switching</p>	Rated Current	16A
	Rated Voltage	250VAC / 30VDC
	Operating Frequency	Mechanical: 300 operations/min Electrical : 10 to 30 operations/min
	Insulation resistance	≥ 100MΩ (500VDC)
	Contact resistance	100 mΩ max.
	Dielectric strength	1,000VAC , 50/60 Hz for 1 min between non-continuous terminals 1,500 VAC, 50/60 Hz for 1 min between each terminal and ground
	Vibration resistance	Malfunction: 10 to 55Hz, 1.5-mm double amplitude
	Shock resistance	Destruction: 400 m/s <sup>2</sup> Malfunction 100 m/s <sup>2</sup>
	Life expectancy	Mechanical : 5,000,000 cycles (operating force > 200 g) Electrical : 6000 or 50,000 operations min
	Ambient temperature	Operating -25°C to 80°C (with no icing)
	Ambient Humidity	Operating : 85% max
	Switch approval	ENEC/CQC : 16(4) A, 250 Vac ( 50000 cycles) UL/cUL: 16A 1/2HP, 125 Vac/250 Vac (6000 cycles)