

ORDERING CODE

MLS Model

MLS01

MLS01-

1

2

3

4

5

6

7

8

MLS02

MLS02-

1

2

3

4

5

6

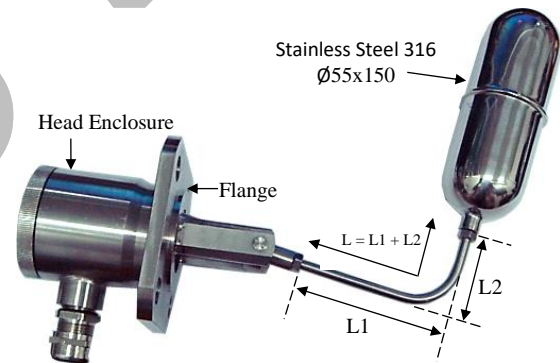
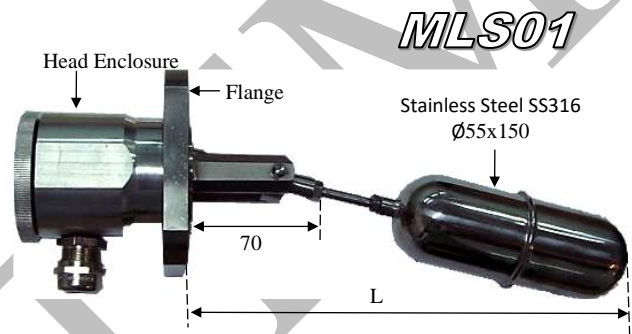
7

8

Eg1: MLS01 - Magnetic Level Sensor, Head Enclosure: Aluminum, Round Flange, PCD 120mm, 4 Holes Dia 14mm
L1 = 100mm
Order Code : MLS01-AL100-0-RD120H4X14

Eg2: MLS02 - Magnetic Level Sensor, Head Enclosure: Stainless Steel, Round Flange, PCD: 102mm, 6 Holes, Dia 12mm
L1 = 100mm, L2 = 150mm
Order Code : MLS02-SS100-150-RD102H6X12

- 1 HEAD ENCLOSURE MATERIAL
SS : Stainless Steel
AL : Aluminum
X7 : Xproof Alloy Aluminum
- 2 Length (L) mm
Specify L length accordingly in mm
N : Nil 400: 400mm
300: 300mm 450 : 450mm
350: 350mm 500: 500mm
- 3 Length (L1) mm
Specify L1 length accordingly in mm
0 : Nil (For MLS01 only)
200: 200mm 300 : 300mm
250: 250mm 350: 350mm
- 4 Length (L2) mm
Specify L2 length accordingly in mm
0 : Nil (For MLS01 only)
200: 200mm 300 : 300mm
250: 250mm 350: 350mm
- 5 Flange (F) Shape
RD : Round
SQ : Square
AF3 : Standard Square Flange AF3
- 6 Flange (F) PCD mm
102 : 102mm
120 : 120mm
N : Standard Square Flange AF3
- 7 Flange – Number of Holes
H4 : 4 Holes
H6 : 6 Holes
H8 : 8 Holes
N : Standard Square Flange AF3
- 8 Flange (F) – Hole Size (Ømm)
X12 : Ø12mm
X14 : Ø14mm
X16 : Ø16mm
N : Standard Square Flange AF3



MLS02

Standard Square Flange AF3
Stainless Steel

