

## FSX Model

### ORDERING CODE

FSX -	1	2	-	3	4	-	5	6	-	7	8	-	9	10	-	11	12	-	13	14
-------	---	---	---	---	---	---	---	---	---	---	---	---	---	----	---	----	----	---	----	----

Eg 1: FSX Model, Float Sensor – Two Float, Material: SS316, 2 Wire per float. Float Diameter : Ø28, Thread Fitting ¼” BSP & Nut, Wire length : 4 mtr, L1 = 100mm, L2=250mm, Switch Configuration (F1=H, F2=L)  
Order Code : FSX-S2-2WD28-1B4T-100H-250L-NN-NN

Eg 2: FSX Model, Float Sensor – Four Float, 3 Wire per float (NC, NO, Common), SS316, Float Diameter : Ø50, Thread Fitting M20 & Nut, Wire length : 2 mtr, L1 = 100mm, L2=250mm, L3= 400mm, L4=700mm  
Order Code : FSX-S4-3WD50-M202T-100N-250N-400N-700N

1 FLOAT SENSOR MATERIAL

S: SS316  
P: PP

2 NUMBER OF FLOAT

1: 1 Float Ball      3: 3 Float Ball  
2: 2 Float Ball      4: 4 Float Ball

3 Number of Wire per Float ball

2W: 2 Wire – (Need specify Switch configuration for 2 wire per float ball)  
3W: 3 Wire (NC, NO, Common) - (Do not need to specify Switch configuration, indicate '0': Nil)

4 FLOAT SIZE (Ø)

Stainless steel SS316 material

D28 : Ø28 x H28mm  
D38 : Ø38 x H26.5mm  
D45 : Ø45 x H56mm  
D50 : Ø51 x H61mm  
D75 : Ø75 x H75mm  
D76 : Ø76 x H100mm  
D125 : Ø125 x H125mm

PP Material

P25: Ø25 x H26mm  
P25: Ø25 x H29mm  
P30: Ø30 x H30mm  
P45: Ø45 x H46mm

5 THREAD FITTING (E)

M20 : M20 & NUT      2B : ½” BSP & Nut  
1B : ¼” BSP & NUT      3B : 1/8 BSP & Nut  
G : 1-1/4” BSP & Nut      H : 1-1/2” BSP & Nut  
I : 2” BSP & Nut

6 LEAD WIRE LENGTH (Specify lead wire length accordingly)

1T : 1 mtr      3T : 3 mtr  
2T : 2 mtr      4T : 4 mtr

7 ACTIVATION LENGTH L1 (Specify length accordingly)

150 : 150mm      350 : 350mm  
250 : 250mm      450 : 450mm

8 SWITCH CONFIGURATION (F1)

N: NIL ( For 3 Wire per float)  
L: NO, NC    H: NC, NO

9 ACTIVATION LENGTH (L2) (Specify length accordingly)

N: Nil      200 : 200mm  
150 : 150mm      350 : 350mm

10 SWITCH CONFIGURATION (F2)

N: NIL  
L: NO, NC    H: NC, NO

11 ACTIVATION LENGTH (L3) (Specify length accordingly)

N: Nil      200 : 200mm  
150 : 150mm      350 : 350mm

12 SWITCH CONFIGURATION (F3)

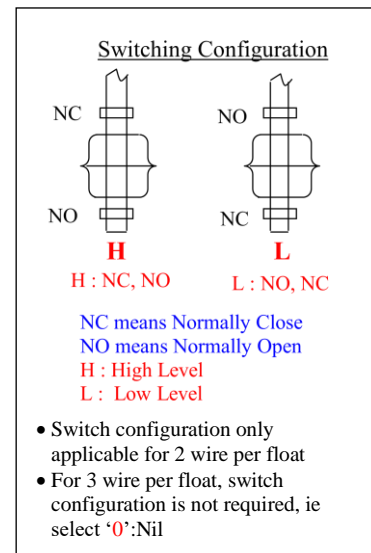
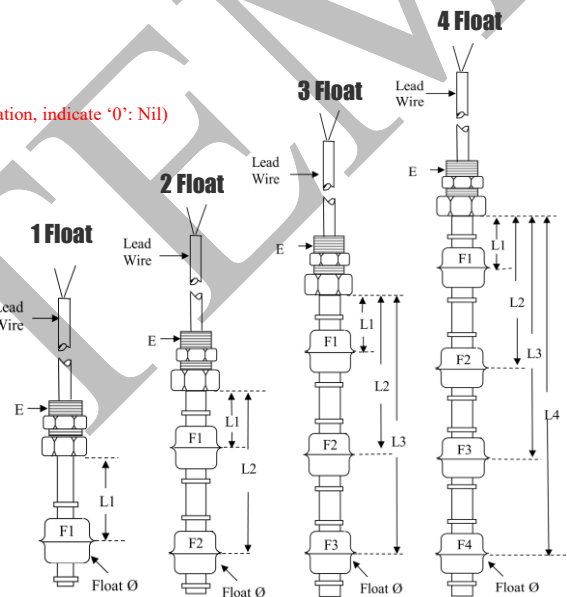
N: NIL  
L: NO, NC    H: NC, NO

13 ACTIVATION LENGTH (L4) (Specify length accordingly)

N: Nil      200 : 200mm  
150 : 150mm      350 : 350mm

14 SWITCH CONFIGURATION (F4)

N: NIL  
L: NO, NC    H: NC, NO



Remarks: Not all combinations are available however we will offer the nearest to your requirement