

## ORDERING CODE **FSF1 Style**

FSF1 - 1 2 3 - 4 5 - 6 - 7 8 - 9 10 - 11 12 - 13 14

Eg 1: FSF1 Style, Four Float – 2 Wire per float, Material: SS316, Standard Head Enclosure D2, Float Dia : Ø28, Flange Rating: 5K40A SS304, Activation Length L1 = 100mm, L2=250mm, L3= 400mm, L4=700mm, Switch Configuration (F1=H, F2=L, F3=H, F4=L)  
Order Code : FSF1-S4D2-2WD28-5K40A SS304-100H-250L-400H-700L

Eg 2: FSF1 Style, Four Float – 3 Wire per float (NC, NO, Common), Material: SS316, Standard Head Enclosure D2, Float Dia : Ø28, Flange Rating: 5K40A SS304, Activation Length L1 = 100mm, L2=250mm, L3= 400mm, L4=700mm  
Order Code : FSF1-S4D2-3WD28-5K40A SS304-100N-250N-400N-700N

1 FLOAT SENSOR MATERIAL  
S: SS316

2. NUMBER OF FLOAT  
1: 1 Float Ball      3: 3 Float Ball  
2 : 2 Float Ball      4: 4 Float Ball

3 HEAD ENCLOSURE DESIGN (See Accessories section for Enclosure design)  
D2: Standard Alloy Aluminum      X1: Xproof Alloy Aluminum  
D8: Standard Cast Stainless Steel      X2: Xproof Stainless Steel  
D13: Alloy Aluminum Rectangular      X4: XLarge G2D4 Xproof Aluminum

4 Number of Wire per Float ball  
2W: 2 Wire – (Need specify Switch configuration for 2 wire per float ball)  
3W: 3 Wire ( NC, NO, Common) - (Do not need to specify Switch configuration, indicate '0': Nil)

5 FLOAT SIZE (Ø)  
Stainless steel SS316 material  
D28 : Ø28 x H28mm      D75 : Ø75 x H75mm  
D38 : Ø38 x H26.5mm      D76 : Ø76 x H100mm  
D45 : Ø45 x H56mm      D125 : Ø125 x H125mm  
D50 : Ø51 x H61mm

6 FLANGE RATING (list according to rating)  
SS304      SS316  
5K40A SS304      5K40A SS316  
5K50A SS304      5K50A SS316  
10K40A SS304      10K40A SS316  
10K50A SS304      10K50A SS316  
1-1/2" 150# SS304      1-1/2" 150# SS316  
1-1/2" 300# SS304      1-1/2" 300# SS316  
2" 150# SS304      2" 150# SS316  
2" 300# SS304      2" 300# SS316

7 ACTIVATION LENGTH L1 (Specify length accordingly)  
150 : 150mm      350 : 350mm  
250: 250mm      450: 450mm

8 SWITCH CONFIGURATION (F1)  
N: NIL (For 3 Wire per float)  
L : NO, NC      H : NC, NO

9 ACTIVATION LENGTH (L2) (Specify length accordingly)  
N : Nil      200 : 200mm  
150 : 150mm      350 : 350mm

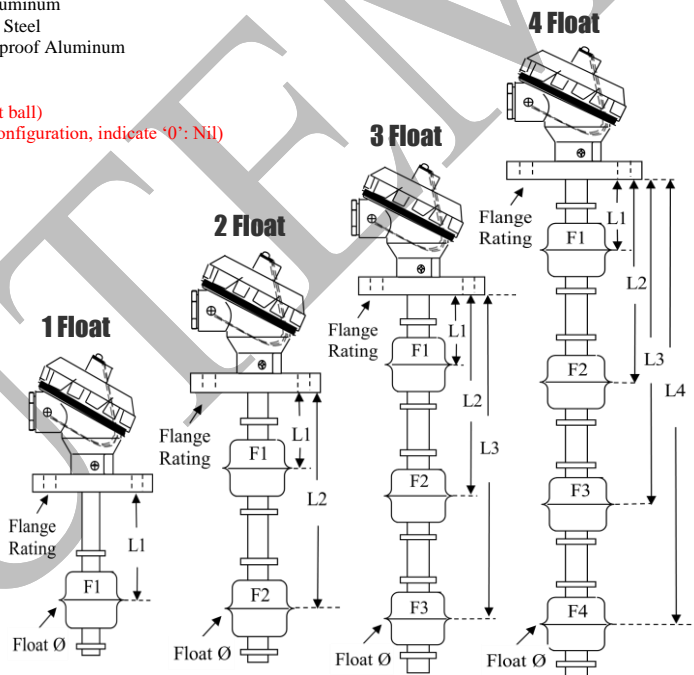
10 SWITCH CONFIGURATION (F2)  
N: NIL  
L : NO, NC      H : NC, NO

11 ACTIVATION LENGTH (L3) (Specify length accordingly)  
N : Nil      200 : 200mm  
150 : 150mm      350 : 350mm

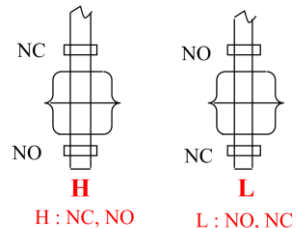
12 SWITCH CONFIGURATION (F3)  
N: NIL  
L : NO, NC      H : NC, NO

13 ACTIVATION LENGTH (L4) (Specify length accordingly)  
N : Nil      200 : 200mm  
150 : 150mm      350 : 350mm

14 SWITCH CONFIGURATION (F4)  
N: NIL  
L : NO, NC      H : NC, NO



### Switching Configuration



NC means Normally Close  
NO means Normally Open  
H : High Level  
L : Low Level

- Switch configuration only applicable for 2 wire per float
- For 3 wire per float, switch configuration is not required, ie select '0':Nil

Remarks: Not all combinations are available however we will offer the nearest to your requirement

## ORDERING CODE **FSF2 Model**

FSF2 - 1 2 3 - 4 5 - 6 - 7 8 - 9 10 - 11 12 - 13 14

Eg 1: FSF2 Model, Four Float – 2 Wire per float, Material: SS316, Standard Head Enclosure D2, Float Dia : Ø28, Flange Rating: 5K40A SS304, Activation Length L1 = 100mm, L2=250mm, L3= 400mm, L4=700mm, Switch Configuration (F1=H, F2=L, F3=H, F4=L)  
Order Code : FSF2-S4D2-2WD28-5K40A SS304-100H-250L-400H-700L

Eg 2: FSF2 Model, Four Float – 3 Wire per float (NC, NO, Common), Material: SS316, Standard Head Enclosure D2, Float Dia : Ø28, Flange Rating: 5K40A SS304, Activation Length L1 = 100mm, L2=250mm, L3= 400mm, L4=700mm  
Order Code : FSF2-S4D2-3WD28-5K40A SS304-100N-250N-400N-700N

1 FLOAT SENSOR MATERIAL  
S: SS316

2. NUMBER OF FLOAT  
1: 1 Float Ball            3: 3 Float Ball  
2: 2 Float Ball            4: 4 Float Ball

3 HEAD ENCLOSURE DESIGN (See Accessories section for Enclosure design)  
D2: Standard Alloy Aluminum            X1: Xproof Alloy Aluminum  
D8: Standard Cast Stainless Steel        X2: Xproof Stainless Steel  
D13: Alloy Aluminum Rectangular        X4: XLarge G2D4 Xproof Aluminum

4 Number of Wire per Float ball  
2W: 2 Wire – (Need specify Switch configuration for 2 wire per float ball)  
3W: 3 Wire ( NC, NO, Common) - (Do not need to specify Switch configuration, indicate '0': Nil)

5 FLOAT SIZE (Ø)  
Stainless steel SS316 material  
D28 : Ø28 x H28mm            D75 : Ø75 x H75mm  
D38 : Ø38 x H26.5mm        D76 : Ø76 x H100mm  
D45 : Ø45 x H56mm            D125 : Ø125 x H125mm  
D50 : Ø51 x H61mm

6 FLANGE RATING (List according to rating)  
SS304                                    SS316  
5K40A SS304                        5K40A SS316  
5K50A SS304                        5K50A SS316  
10K40A SS304                       10K40A SS316  
10K50A SS304                       10K50A SS316  
1-1/2" 150# SS304                1-1/2" 150# SS316  
1-1/2" 300# SS304                1-1/2" 300# SS316  
2" 150# SS304                        2" 150# SS316  
2" 300# SS304                        2" 300# SS316

7 ACTIVATION LENGTH L1 (Specify length accordingly)  
150 : 150mm    350 : 350mm  
250: 250mm    450: 450mm

8 SWITCH CONFIGURATION (F1)  
N: NIL ( For 3 Wire per float)  
L: NO, NC    H: NC, NO

9 ACTIVATION LENGTH (L2) (Specify length accordingly)  
N: Nil            200 : 200mm  
150 : 150mm    350 : 350mm

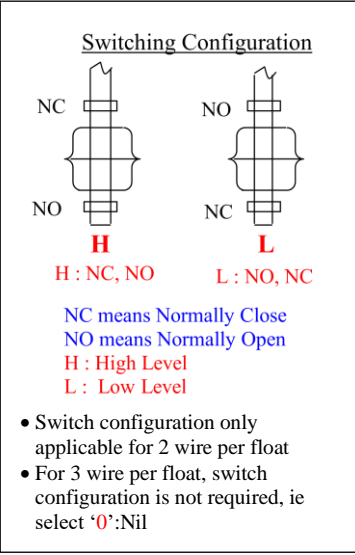
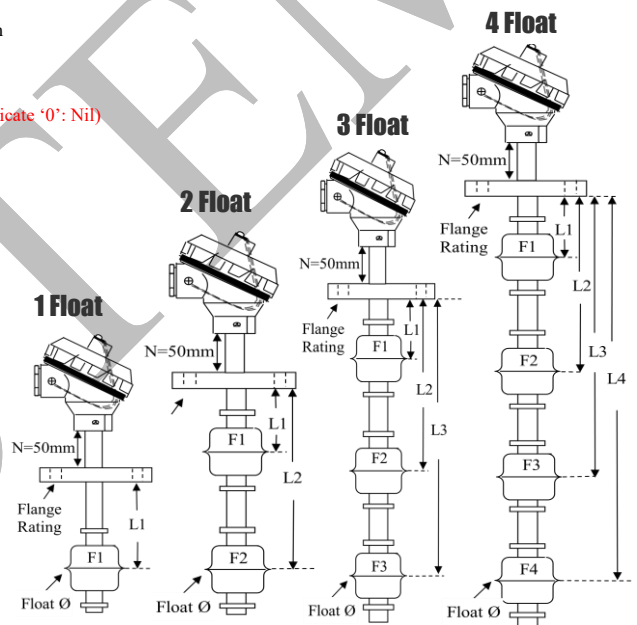
10 SWITCH CONFIGURATION (F2)  
N: NIL  
L: NO, NC    H: NC, NO

11 ACTIVATION LENGTH (L3) (Specify length accordingly)  
N: Nil            200 : 200mm  
150 : 150mm    350 : 350mm

12 SWITCH CONFIGURATION (F3)  
N: NIL  
L: NO, NC    H: NC, NO

13 ACTIVATION LENGTH (L4) (Specify length accordingly)  
N: Nil            200 : 200mm  
150 : 150mm    350 : 350mm

14 SWITCH CONFIGURATION (F4)  
N: NIL  
L: NO, NC    H: NC, NO



Remarks: Not all combinations are available however we will offer the nearest to your requirement