

FSC Model

ORDERING CODE

FSC -	1	2	-	3	4	-	5	-	6	-	7	8	-	9	10	-	11	12	-	13	14
-------	---	---	---	---	---	---	---	---	---	---	---	---	---	---	----	---	----	----	---	----	----

Eg 1: FSC Model, Float Sensor – Two Float, Material: SS316, 2 Wire per float. Float Diameter : Ø28, Compression Fitting ¼” Wire length : 4 mtr, L1 = 100mm, L2=250mm, Switch Configuration (F1=H, F2=L)
Order Code : FSC-S2-2WD28-CFS1-4T-100H-250L-NN-NN

Eg 2: FSC Model, Float Sensor – Four Float, 3 Wire per float (NC, NO, Common), SS316, Float Diameter : Ø50 with Compression fitting ½”
NPT, Wire length : 2 mtr, L1 = 100mm, L2=250mm, L3= 400mm, L4=700mm
Order Code : FSC-S4-3WD50-CFS2-2T-100N-250N-400N-700N

1 FLOAT SENSOR MATERIAL
S: SS316
P: PP

2 NUMBER OF FLOAT
1: 1 Float Ball 3: 3 Float Ball
2: 2 Float Ball 4: 4 Float Ball

3 Number of Wire per Float ball
2W: 2 Wire – (Need specify Switch configuration for 2 wire per float ball)
3W: 3 Wire (NC, NO, Common) - (Do not need to specify Switch configuration, indicate '0': Nil)

4 FLOAT SIZE (Ø)
Stainless steel SS316 material PP Material
D28 : Ø28 x H28mm P25: Ø25 x H26mm
D38 : Ø38 x H26.5mm P25: Ø25 x H29mm
D45 : Ø45 x H56mm P30: Ø30 x H30mm
D50 : Ø51 x H61mm P45: Ø45 x H46mm
D75 : Ø75 x H75mm
D76 : Ø76 x H100mm
D125 : Ø125 x H125mm

5 Compression Fitting (E)
CFS1: ¼” NPT
CFS2: ½” NPT
CFS3: 1/8” NPT
CFS5: 3/8” NPT

6 LEAD WIRE LENGTH (Specify lead wire length accordingly)
1T : 1 mtr 3T: 3 mtr
2T : 2 mtr 4T: 4 mtr

7 ACTIVATION LENGTH L1 (Specify length accordingly)
150 : 150mm 350 : 350mm
250 : 250mm 450 : 450mm

8 SWITCH CONFIGURATION (F1)
N: NIL (For 3 Wire per float)
L: NO, NC H: NC, NO

9 ACTIVATION LENGTH (L2) (Specify length accordingly)
N: Nil 200 : 200mm
150 : 150mm 350 : 350mm

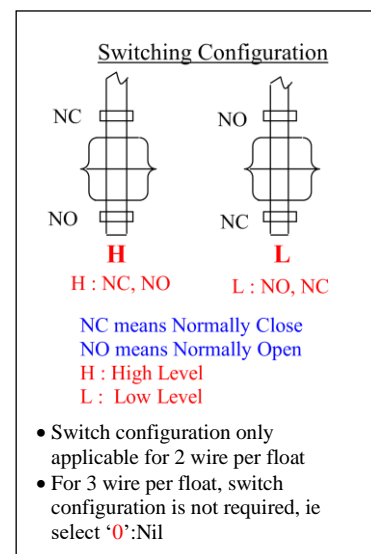
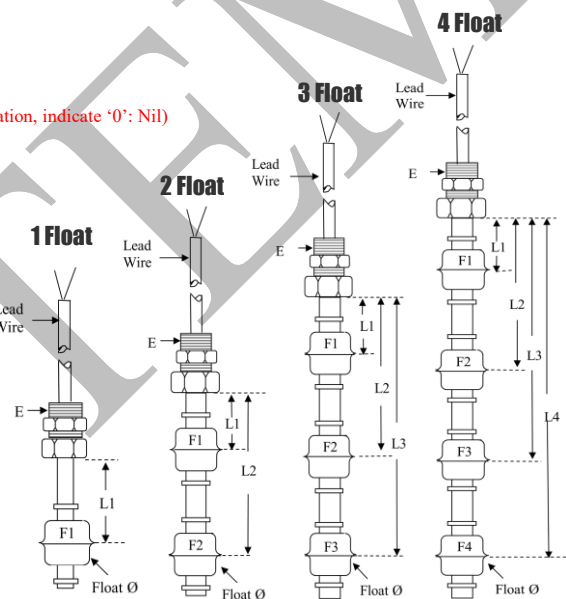
10 SWITCH CONFIGURATION (F2)
N: NIL
L: NO, NC H: NC, NO

11 ACTIVATION LENGTH (L3) (Specify length accordingly)
N: Nil 200 : 200mm
150 : 150mm 350 : 350mm

12 SWITCH CONFIGURATION (F3)
N: NIL
L: NO, NC H: NC, NO

13 ACTIVATION LENGTH (L4) (Specify length accordingly)
N: Nil 200 : 200mm
150 : 150mm 350 : 350mm

14 SWITCH CONFIGURATION (F4)
N: NIL
L: NO, NC H: NC, NO



Remarks: Not all combinations are available however we will offer the nearest to your requirement