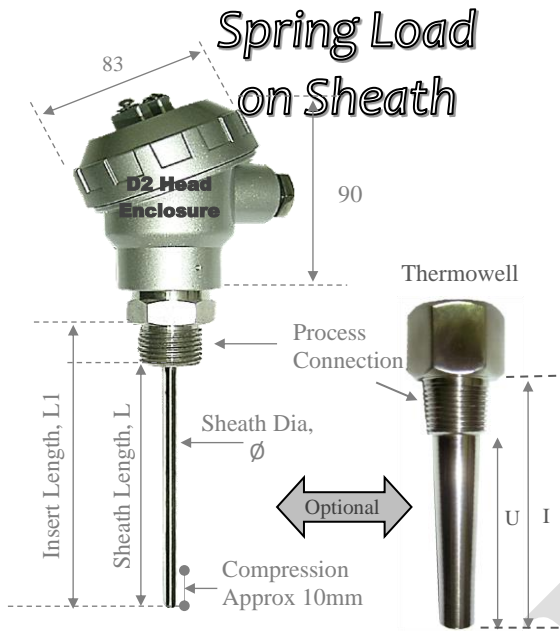


Spring Loaded Thermocouple / RTD w Fixed Conn & Terminal Head Enclosure

EPS
model



Feature

- ✓ Various Head Enclosure Design
- Miniature , Small, Standard, Box and Exproof Enclosure Design available
- ✓ Fixed Process Connection i.e. NPT , BSP
- ✓ Sheath Probe with Compression approximate 10mm
- ✓ Optional : Transmitter
- Transmitter 4 ~ 20mA output
- Transmitter Hart protocol 4~20mA output
- ✓ Suitable to be used with Thermowell

Thermocouple

- ✓ Type Available: K, J, E, T, N
- ✓ Sheath Material: SS316 or Inconel 600
- ✓ Mineral insulated single and duplex thermocouple
- ✓ Ansi MC 96.2 / IEC-584
- ✓ Sheath Diameter from : 1.0 to 12.7mm
- ✓ Minimum insulation resistance : 10M ohm @ ambient temperature with 200V DC
- ✓ Hot junction: Grounded, Ungrounded

RTD - Resistance Temperature Detector

- ✓ Type Available: PT100, PT500, PT1000
- ✓ Sheath Material: SS316
- ✓ Single and duplex
- ✓ 2 wire, 3 wire, 4 wire available
- ✓ Temperature range available from -200 to 800 °C
- ✓ According to DIN EN 60751
- ✓ Alpha value = 0.00385 per ITS 90
- ✓ Sheath Diameter from : 1.6 to 12.7mm

STANDARD THERMOCOUPLE & RTD MODEL

Description

EPS Model, Spring Loaded, Single Element w Fixed Process Connection & Standard Head Enclosure (D2 Design)

| Order Code | Sensor Type | Junction/ No Wire | Accuracy | Process Conn NPT | Sheath Dia Ø mm | Sheath Length mm | Sheath Material | Temp Range °C |
|--------------|-------------|-------------------|----------|------------------|-----------------|------------------|-----------------|---------------|
| EPS-K-F150 | K | Ungrounded | Class 2 | ½" | 3.0 | 150 | SS316 | 0~800 |
| EPS-K-F300 | K | Ungrounded | Class 2 | ½" | 3.0 | 300 | SS316 | 0~800 |
| EPS-K-L150 | K | Ungrounded | Class 2 | ½" | 6.0 | 150 | SS316 | 0~800 |
| EPS-K-L300 | K | Ungrounded | Class 2 | ½" | 6.0 | 300 | SS316 | 0~800 |
| EPS-P1-UG150 | PT100 | 3 Wire | Class B | ½" | 3.2 | 150 | SS316 | -50~200 |
| EPS-P1-UG300 | PT100 | 3 Wire | Class B | ½" | 3.2 | 300 | SS316 | -50~200 |
| EPS-P1-WM150 | PT100 | 3 Wire | Class B | ½" | 6.4 | 150 | SS316 | -50~400 |
| EPS-P1-WM300 | PT100 | 3 Wire | Class B | ½" | 6.4 | 300 | SS316 | -50~400 |