

## THERMOCOUPLE ORDERING CODE

# EAR

model

EAR - 1 - 2 3 - 4 5 6 - 7 8 9 - 10 - 11 - 12

Eg: EAR Model, Type K Thermocouple, Sheath Material: SS316, Head Enclosure-D2 design, Tip Sheath Dia: 3.2, Grounded, Tip Sheath Length L2:100mm, Class 2, Support Dia Ø6.0mm, Support Sheath Length L1 : 100mm  
Order Code : EAR-K-SD2-WL100-G100CL2-0-0-0

### 1 CALIBRATION

Single	Duplex
K: K	KK: K Duplex
J: J	JJ : J Duplex
E: E	EE : E Duplex
T: T	TT : T Duplex
N: N	NN: N Duplex

### 2 SHEATH MATERIAL

S: SS316  
Z: Inconel 600

### 3 HEAD ENCLOSURE DESIGN (See Accessories section for Enclosure design)

D1: Small Alloy Aluminum	D10: Alloy Aluminum Round
D2: Standard Alloy Aluminum	D11: Alloy Aluminum High Cap
D3: Din Alloy Aluminum	X1: Xproof Alloy Aluminum
D8: Standard Stainless Steel	X2: Xproof Stainless Steel

### 4 JUNCTION

W: Grounded  
U: Ungrounded

### 5 SHEATH DIAMETER OF SUPPORT Ø1

J: Ø 4.8mm	O: Ø 9.53mm
L: Ø 6mm	P: Ø 10mm
M: Ø 6.4mm	Q: Ø 12mm
N: Ø 8mm	R: Ø 12.7mm

### 6 SUPPORT LENGTH, L1

(Specify the sheath length accordingly in mm)  
100: 100mm  
200: 200mm

### 7 REDUCED TIP SHEATH DIAMETER Ø2

A :Ø1.0mm	J: Ø 4.8mm
B: Ø 1.5mm	K: Ø 5mm
C: Ø 1.6mm	L: Ø 6mm
D: Ø 2.0mm	M: Ø 6.4mm
E: Ø 2.3mm	N: Ø 8mm
F: Ø 3mm	O: Ø 9.53mm
G: Ø 3.2mm	P: Ø 10mm
H: Ø 4mm	Q: Ø 12mm
I: Ø 4.5mm	R: Ø 12.7mm

### 8 REDUCED TIP SHEATH LENGTH, L2

(Specify the sheath length accordingly in mm)  
100: 100mm  
200: 200mm

### 9 TOLERANCE

CL1 : Class 1  
CL2 : Class 2 (Standard industrial class)

### 10 COMPRESSION FITTING - STAINLESS STEEL (OPTIONAL ITEM)

0 : Nil	
CFS1: 1/4" NPT	CFSA: 1/4" BSP
CFS2: 1/2" NPT	CFSB: 1/2" BSP
CFS3: 1/8" NPT	CFSC: 1/8" BSP
CFS5: 3/8" NPT	CFSE: 3/8" BSP

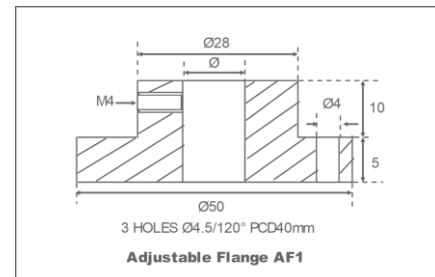
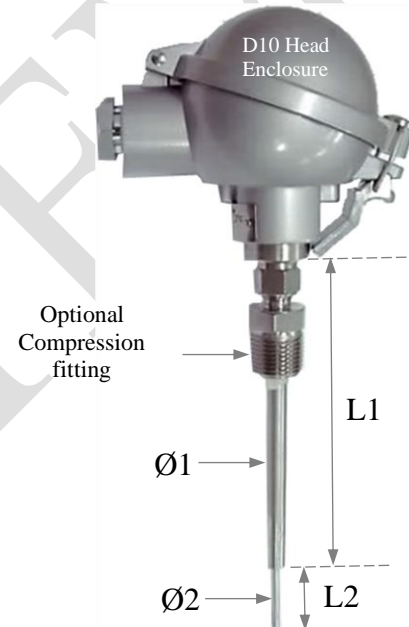
### 11 TRANSMITTER – OPTIONAL ITEM \*\* (Transmitter range need to specify )

0 : Nil  
TN1: Transmitter 4~20mA  
TN2:: Transmitter 4~20mA Hart Protocol (Atex EII 1 G Ex ia IIC T4..T6 Ga)  
TN3: Transmitter 0 – 10V

### 12 ADJUSTABLE FLANGE (Optional item)

0 : Nil  
AF1: Adjustable Flange

Remarks: Not all combination are available however we will offer the nearest to your requirement



**RTD**

**EAR** model

**ORDERING CODE**

EAR - 1 - 2 3 - 4 5 6 7 - 8 9 10 - 11 - 12 - 13

Eg: EAR Model, PT100-3W Sheath Material SS316, Head Enclosure-D2 design, Tip Sheath Dia: 3.2, Grounded, Tip Sheath Length L2:100mm, Support Dia Ø6.0mm , Support Sheath Length L1 : 100mm Temperature Range: -50 to 200 deg C, Class B  
Order Code : EAR-P1-3WU-SD2L100-G100CLB-0-0-0

**1 CALIBRATION**

Single

Duplex

P1 : PT100

PIX : PT100 Duplex

P1V : PT100-Vibration Proof

P1VX : PT100 Duplex-Vibration Proof

**2 WIRE CONNECTION PER RTD**

2W: 2 WIRE

3W: 3 WIRE

4W: 4 WIRE

**3 TEMPERATURE RANGE**

U : -50 TO 200 °C X : -50 TO 600 °C

W : -50 TO 400 °C Y : -200 TO 600 °C

**4 SHEATH MATERIAL**

S: SS316

**5 HEAD ENCLOSURE DESIGN**

(See Accessories section for Enclosure design)

D1: Small Alloy Aluminum D10: Alloy Aluminum Round Cap

D2: Standard Alloy Aluminum D11: Alloy Aluminum High Cap

D3: Din Alloy Aluminum X1: Xproof Alloy Aluminum

D8: Standard Stainless Steel X2: Xproof Stainless Steel

**6 SHEATH DIAMETER OF SUPPORT Ø1**

J: Ø 4.8mm O: Ø 9.53mm

L: Ø 6mm P: Ø 10mm

M: Ø 6.4mm Q: Ø 12mm

N: Ø 8mm R: Ø 12.7mm

**7 SUPPORT LENGTH, L1**

(Specify the sheath length accordingly in mm)

100: 100mm

200: 200mm

**8 REDUCED TIP SHEATH DIAMETER Ø2**

A :Ø1.0mm J: Ø 4.8mm

B: Ø 1.5mm K: Ø 5mm

C: Ø 1.6mm L: Ø 6mm

D: Ø 2.0mm M: Ø 6.4mm

E: Ø 2.3mm N: Ø 8mm

F: Ø 3mm O: Ø 9.53mm

G: Ø 3.2mm P: Ø 10mm

H: Ø 4mm Q: Ø 12mm

I: Ø 4.5mm R: Ø 12.7mm

**9 REDUCED TIP SHEATH LENGTH, L2**

(Specify the sheath length accordingly in mm)

100: 100mm

200: 200mm

**10 TOLERANCE**

CLA : Class A

CLB : Class B (Standard industrial class)

**11 COMPRESSION FITTING - STAINLESS STEEL (OPTIONAL ITEM)**

0 : Nil

CFS1: 1/4" NPT CFSA: 1/4" BSP

CFS2: 1/2" NPT CFSB: 1/2" BSP

CFS3: 1/8" NPT CFS3: 1/8" BSP

CFS5: 3/8" NPT CFSE: 3/8" BSP

**12 TRANSMITTER – OPTIONAL ITEM \*\* (Transmitter range need to specify)**

0 : Nil

TN1: Transmitter 4~20mA

TN2: Transmitter 4~20mA Hart Protocol (Atex EII 1 G Ex ia IIC T4..T6 Ga)

TN3 : Transmitter 0 – 10V

**13 ADJUSTABLE FLANGE (Optional item)**

0 : Nil

AF1: Adjustable Flange

Remarks: Not all combination are available however we will offer the nearest to your requirement

