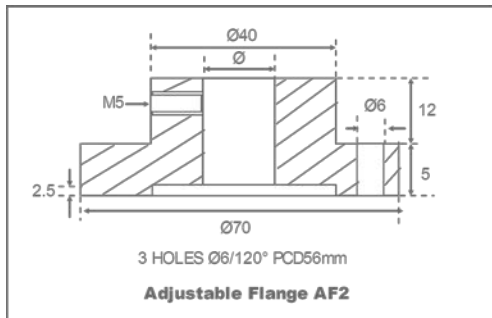
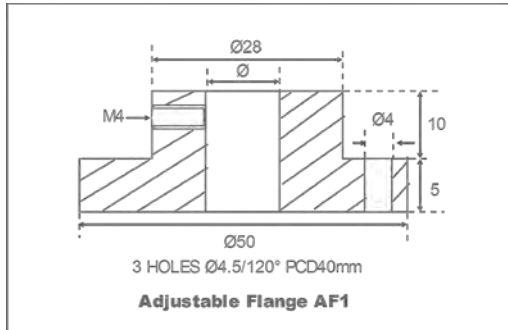


ADJUSTABLE FLANGE for Thermocouple or RTD



TO ORDER STANDARD MODEL					
AF1 BRASS		AF1 STAINLESS STEEL		AF2 STAINLESS STEEL	
Order Code	Ø	Order Code	Ø	Order Code	Ø
AF1-B3.5	3.5	AF1-S3.5	3.5	AF2-S22	22
AF1-B5.5	5.5	AF1-S5.5	5.5	AF2-S27	27
AF1-B6.5	6.5	AF1-S6.5	6.5		
AF1-B8.5	8.5	AF1-S8.5	8.5		
AF1-B10	10.0	AF1-S10	10.0		
AF1-B10.5	10.5	AF1-S10.5	10.5		
AF1-B12.5	12.5	AF1-S12.5	12.5		
AF1-B13	13.0	AF1-S13	13.0		

BAYONET ADAPTOR For Bayonet Thermocouple or RTD



← THREAD SIZE

BAYONET ADAPTOR WITH THREAD SIZE 1/8" BSP				
Order Code	Material	Length mm	Size Ø mm	Thread Size
BAB-22-13	Brass	22	12.5	1/8" BSP
BAS-22-13	Stainless Steel	22		1/8" BSP
BAB-35-13	Brass	35		1/8" BSP
BAS-35-13	Stainless Steel	35		1/8" BSP
BAB-63-13	Brass	63		1/8" BSP
BAS-63-13	Stainless Steel	63		1/8" BSP
BAB-22-23	Brass	22	15.0	1/8" BSP
BAS-22-23	Stainless Steel	22		1/8" BSP
BAB-35-23	Brass	35		1/8" BSP
BAS-35-23	Stainless Steel	35		1/8" BSP
BAB-63-23	Brass	63		1/8" BSP
BAS-63-23	Stainless Steel	63		1/8" BSP

BAYONET ADAPTOR WITH THREAD SIZE 1/4" BSP				
Order Code	Material	Length mm	Size Ø mm	Thread Size
BAB-22-11	Brass	22	12.5	1/4" BSP
BAS-22-11	Stainless Steel	22		1/4" BSP
BAB-35-11	Brass	35		1/4" BSP
BAS-35-11	Stainless Steel	35		1/4" BSP
BAB-63-11	Brass	63		1/4" BSP
BAS-63-11	Stainless Steel	63		1/4" BSP
BAB-22-21	Brass	22	15.0	1/4" BSP
BAS-22-21	Stainless Steel	22		1/4" BSP
BAB-35-21	Brass	35		1/4" BSP
BAS-35-21	Stainless Steel	35		1/4" BSP
BAB-63-21	Brass	63		1/4" BSP
BAS-63-21	Stainless Steel	63		1/4" BSP